

DARKFIGHTER
NETWORK CAMERAS

HIKVISION

DARKFIGHTER



www.hikvision.com

DON'T BE LEFT
IN THE DARK!



Under the poorest lighting conditions, the Hikvision DarkFighter camera series sees clearly in color what others can only see in black and white. DarkFighter series delivers exceptional low-light color images at up to 60fps. During the day, with its superior WDR, it can see through high contrast conditions, such as overly dark or brightly lit areas, to deliver clear images. In a surveillance world that needs to see 24/7/365, the DarkFighter series delivers where others can't.

KEY FEATURES

■ Ultra-low Light Performance

Featuring a large sized HD progressive scan CMOS sensor, the DarkFighter series can capture excellent colour image in an extreme darkest environment down to 0.002Lux, and automatically switch to monochrome by removing the IR filter to boost sensitivity when it lowers than 0.002Lux, while maintaining superior image quality. IR distance of up to 200 metres is further supported to ensure image capturing in darkest environment.



Conventional camera



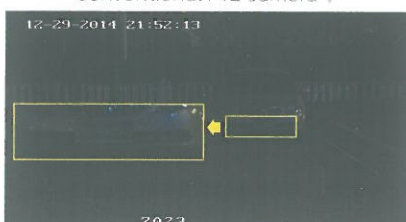
Conventional PTZ camera



Hikvision DarkFighter PTZ



Hikvision DarkFighter camera



Conventional PTZ Camera - 23x



Hikvision DarkFighter PTZ - 23x

■ Maximum Performance with DARKEYE SLA Lens (Super Large Aperture)

Featuring F0.95 consistent aperture, the DarkEye super large aperture lens can truly ice on the cake of hikvision DarkFighter performance.



Conventional lens

Hikvision DARKEYE SLA lens



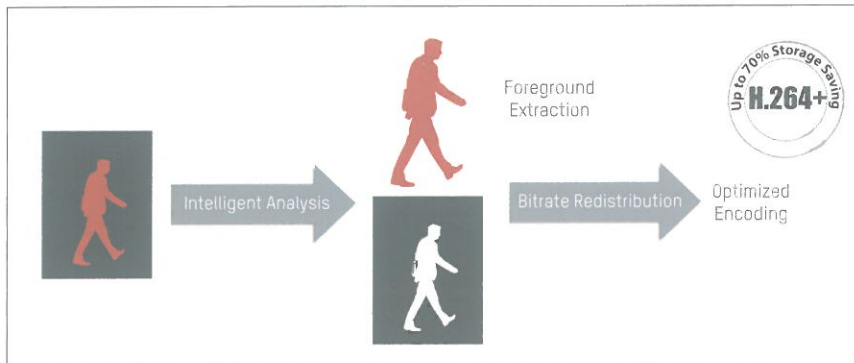
HV0733D-6MP

- Up to 6MP resolution
- Focal length: 7-33mm
- Aperture: F0.95-C
- Format: 1/1.8"

■ Smart Codec

H.264+ Optimized Compression

An efficient way to manage super high resolution video footage.



- more encoding improvement
- more transmission efficiency
- more storage saving

In a static nighttime environment, the bitrate of H.264+ can reach up to 50-60Kbps, 10-20x over standard H.264 codec, that not only saves bandwidth resources, but efficiently decreases storage requirements.



H.264 [25fps]

H.264+ [25fps]

The moving target is extracted from the static background, using a different codec for each element.

- Background-based Predictive Smart Encoding
- Enhanced Noise Suppression
- Optimized Bitrate Control in Long-term Period

■ Complete Product Offering

Hikvision offers various types of 2MP full-HD cameras, such as motorized VF lens bullet camera, dome camera, and up to 36x optical zoom PTZ camera for 24/7 CCTV surveillance.

SMART FEATURE-SET



■ Target Cropping Stream

The third stream of video can be sent to a different source for recording or display in a pre-defined resolution, thus providing more details of a targeted area if needed.



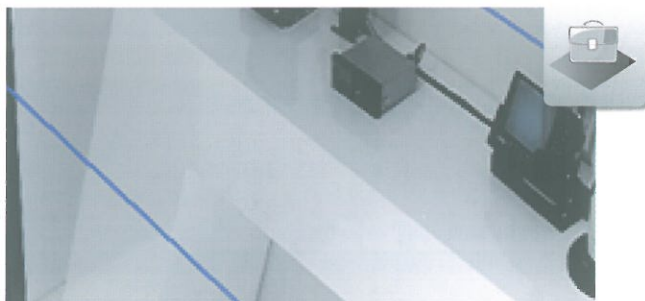
■ Object Counting

You can designate an area of interest and let the camera count objects entering or leaving, which include not only humans but also vehicles. It also offers statistical reports.



■ Region Enter / Exit

This function detects people, vehicles or other objects that enter or exit from a pre-defined virtual region, triggering an alarm.



■ Object Left Behind / Object Removed

This function detects objects left or removed from a pre-defined region, the alarm is triggered.



■ ANPR

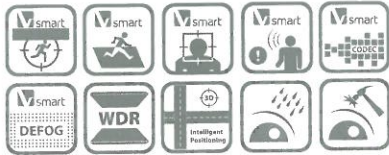
On-board ANPR analytics allow the ability to detect and recognize a vehicle's license plate and send ANPR info to a Smart NVR or iVMS-5200P for access management.

* Supports may vary based on local LPR algorithm development and customization process required.

AWARD

The overall excellence of the DarkFighter camera series has been recognized by the "GIT Security Award" and "IFSEC Security & Fire Excellence Awards" which has nominated the new DarkFighter PTZ as a finalist.

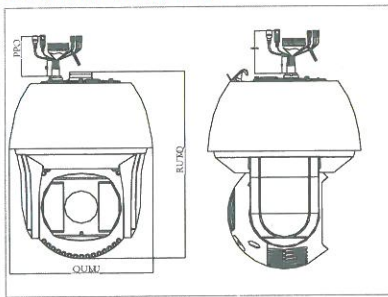




Key Features

- 1/1.9" HD CMOS sensor
- Optical Defog
- 2MP(1920*1080) Full HD
- 36X Optical Zoom
- Ultra-low illumination
- 120dB True WDR
- Smart Tracking
- Smart Detection
- EIS (Electronic Image Stabilization)
- 200m IR distance
- Optional wiper(-W)
- Hi-PoE / 24VAC power supply

Dimension (unit: mm)



Accessories



DS-1602ZJ 1602ZJ-Corner



1602ZJ-Pole 1602ZJ-Box

Order Models

- DS-2DF8236I-AEL, outdoor
- DS-2DF8236I-AELW, wiper, outdoor

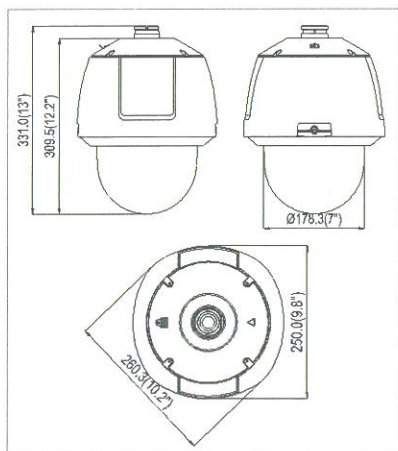
Camera Module	
Image Sensor	1/1.9" Progressive Scan CMOS
Min. Illumination	F1.5, AGC On: Color: 0.002 lux, B/W : 0.0002 lux, 0 lux with IR
Max. Image Resolution	1920×1080
Focal Length	5.7-205.2, 36x
Digital Zoom	16X
Zoom Speed	Approx.3.3s(Optical Wide-Tele)
Angle of View	58.7-2.0 degree (Wide-Tele)
Min. Working Distance	10-1500mm(Wide-Tele)
Aperture Range	F1.5-F3.4
Focus Mode	Auto / Semiautomatic / Manual
WDR	120dB
S / N Ratio	≥ 55dB
Shutter Time	50Hz: 1-1/30,000s; 60Hz: 1-1/30,000s
AGC	Auto / Manual
White Balance	Auto / Manual /ATW/Indoor/Outdoor/Daylight lamp/Sodium lamp
Day & Night	IR Cut Filter
Privacy Mask	24 privacy masks programmable; optional multiple colors and mosaics
Optical Defog	Support
Enhancement	3D DNR, EIS, HLC/BLC, SVC
Pan and Tilt	
Range	Pan:360° endless; Tilt: -20°-90°(Auto Flip)
Speed	Pan Manual Speed: 0.1°-160°/s, Pan Preset Speed: 240°/s Tilt Manual Speed: 0.1°-120°/s, Tilt Preset Speed: 200°/s
Number of Preset	300
Patrol	8 patrols, up to 32 presets per patrol
Pattern	4 patterns, with the recording time not less than 10 minutes per pattern
Park Action	Preset / Patrol / Pattern / Auto scan / Tilt scan / Random scan / Frame scan / Panorama scan
Scheduled Task	Preset / Patrol / Pattern / Auto scan / Tilt scan / Random scan / Frame scan / Panorama scan/Dome reboot/Dome adjust/Aux output
Smart Features	
Smart tracking	Manual/ Panorama/ Intrusion trigger/ Line crossing trigger/ Region entrance trigger/ Region exiting trigger / Unattended baggage trigger / Object removal trigger Smart tracking when patrol between multiple scenarios
Smart detection	Face detection, Intrusion detection, Line crossing detection, Audio exception detection, Region entrance detection, Region exiting detection, Unattended baggage detection, Object removal detection
ROI encoding	Support 24 areas with adjustable levels
Infrared	
IR Distance	Up to 200m
IR Intensity	Automatically adjusted, depending on the zoom ratio
Alarm	
Alarm I/O	7/2
Alarm Trigger	Face detection, Intrusion detection, Line crossing detection, Region entrance, Region exiting, Audio exception detection, Motion detection, Audio Exception Detection, Dynamic analysis, Tampering alarm, Network disconnect, IP address conflict, Storage exception
Alarm Action	Preset, Patrol, Pattern, Micro SD/SDHC card recording, Relay output, Notification on Client, Send Email, Upload to FTP, Trigger Channel
Input/Output	
Monitor Output	1.0V(p-p) / 75Ω, NTSC (or PAL) composite, BNC
Audio Input	1 Mic in/Line in interface, line input: 2-2.4V(p-p); output impedance: 1KΩ, ±10%
Audio Output	1 Audio output interface, line level, impedance: 600Ω
Network	
Ethernet	10Base-T / 100Base-TX, RJ45 connector
Main Stream	50Hz: 25fps(1920×1080, 1280×960, 1280×720); 60Hz: 30fps(1920×1080, 1280×960, 1280×720)
Sub Stream	50Hz: 25fps(704×576, 352×288, 176×144); 60Hz: 30fps(704×480, 352×240, 176×120)
Third Stream	50Hz: 25fps(1920×1080, 1280×960, 1280×720, 704×576, 352×288, 176×144) 60Hz: 30fps(1920×1080, 1280×960, 1280×720, 704×480, 352×240, 176×120)
Image Compression	H.264/MJPEG/MPEG4, H.264 encoding with Baseline/Main/High profile
Audio Compression	G.711ulaw/G.711alaw/G.726/MP2L2/G.722/PCM
Protocols	IPv4/IPv6, HTTP, HTTPS, 802.1X, QoS, FTP, SMTP, UPnP, SNMP, DNS, DDNS, NTP, RTSP, RTP, TCP, UDP, IGMP, ICMP, DHCP, PPPoE
Simultaneous Live View	Up to 20 users
Mini SD Memory Card	Support up to 128GB Micro SD/SDHC/SDXC card. Support Edge recording
User/Host Level	Up to 32 users, 3 Levels: Administrator, Operator and User
Security Measures	User authentication (ID and PW); Host authentication (MAC address); IP address filtering
System Integration	
Application programming	Open-ended API, support ONVIF, PSIA, CGI and Genetec
Web Browser	IE 7+, Chrome 18+, Firefox 5.0+, Safari 5.02+, support multi-language
RS-485 Protocols	HIKVISION, Pelco-P, Pelco-D, self-adaptive
Power	High-PoE 24 VAC, Max.60W
Working Temperature	-40°C - 65°C (-40°F - 149°F)
Humidity	90% or less
Protection Level	IP66, IK10, TVS 6,000V lightning protection, surge protection and voltage transient protection
Certification	FCC, CE, UL, RoHS, IEC/EN 61000, IEC/EN 55022, IEC/EN 55024, IEC /EN60950-1
Dimensions	Φ266.6(mm)×365.2(mm)
Weight (approx.)	8kg (approx.)
Mount Option	Long-arm wall mount: DS-1602ZJ; Corner mount: DS-1602ZJ-corner; Pole Mount: DS-1602ZJ-pole; Power box mount: DS-1602ZJ-box; Swan-neck mount: DS-1619ZJ



Key Features

- 1/1.9" HD CMOS sensor
- Optical Defog
- 2MP(1920*1080) Full HD
- 36X Optical Zoom
- Ultra-low illumination
- 120dB True WDR
- Smart Tracking
- Smart Detection
- EIS (Electronic Image Stabilization)
- Hi-PoE / 24VAC power supply

Dimension (unit: mm)



Accessories



DS-1602ZJ

1602ZJ-Corner



1602ZJ-Pole

1602ZJ-Box

Order Models

DS-2DF6236IV-AEL, outdoor

Camera Module	
Image Sensor	1/1.9" Progressive Scan CMOS
Min. Illumination	F1.5, AGC On: Color: 0.002 lux, B/W: 0.0002 lux
Max. Image Resolution	1920×1080
Focal Length	5.7-205.2, 36x
Digital Zoom	16X
Zoom Speed	Approx.3.3s(Optical Wide-Tele)
Angle of View	58.7-2.0 degree (Wide-Tele)
Min. Working Distance	10-1500mm(Wide-Tele)
Aperture Range	F1.5-F3.4
Focus Mode	Auto / Semiautomatic / Manual
WDR	120dB
S / N Ratio	≥ 55dB
Shutter Time	50Hz: 1-1/30,000s; 60Hz: 1-1/30,000s
AGC	Auto / Manual
White Balance	Auto / Manual /ATW/Indoor/Outdoor/Daylight lamp/Sodium lamp
Day & Night	IR Cut Filter
Privacy Mask	24 privacy masks programmable; optional multiple colors and mosaics
Optical Defog	Support
Enhancement	3D DNR, EIS, HLC/BLC, SVC
Pan and Tilt	
Range	Pan:360° endless; Tilt: -25°-90°(Auto Flip)
Speed	Pan Manual Speed: 0.1°-300°/s, Pan Preset Speed: 540°/s Tilt Manual Speed: 0.1°-240°/s, Tilt Preset Speed: 400°/s
Number of Preset	300
Patrol	8 patrols, up to 32 presets per patrol
Pattern	4 patterns, with the recording time not less than 10 minutes per pattern
Park Action	Preset / Patrol / Pattern / Auto scan / Tilt scan / Random scan / Frame scan / Panorama scan
Scheduled Task	Preset / Patrol / Pattern / Auto scan / Tilt scan / Random scan / Frame scan / Panorama scan/Dome reboot/Dome adjust/Aux output
Smart Features	
Smart tracking	Manual/ Panorama/ Intrusion trigger/ Line crossing trigger/ Region entrance trigger/ Region exiting trigger / Unattended baggage trigger / Object removal trigger Smart tracking when patrol between multiple scenarios
Smart detection	Face detection, Intrusion detection, Line crossing detection, Audio exception detection, Region entrance detection, Region exiting detection, Unattended baggage detection, Object removal detection
ROI encoding	Support 24 areas with adjustable levels
Alarm	
Alarm I/O	7/2
Alarm Trigger	Face detection, Intrusion detection, Line crossing detection, Region entrance, Region exiting, Audio exception detection, Motion detection, Audio Exception Detection, Dynamic analysis, Tampering alarm, Network disconnect, IP address conflict, Storage exception
Alarm Action	Preset, Patrol, Pattern, Micro SD/SDHC card recording, Relay output, Notification on Client, Send Email, Upload to FTP, Trigger Channel
Input/Output	
Monitor Output	1.0V(p-p) / 75Ω, NTSC (or PAL) composite, BNC
Audio Input	1 Mic in/Line in interface, line input: 2-2.4V(p-p); output impedance: 1KΩ, ±10%
Audio Output	1 Audio output interface, line level, impedance: 600Ω
Network	
Ethernet	10Base-T / 100Base-TX, RJ45 connector
Main Stream	50Hz: 25fps(1920×1080, 1280×960, 1280×720); 60Hz: 30fps(1920×1080, 1280×960, 1280×720)
Sub Stream	50Hz: 25fps(704×576, 352×288, 176×144); 60Hz: 30fps(704×480, 352×240, 176×120)
Third Stream	50Hz: 25fps(1920×1080, 1280×960, 1280×720, 704×576, 352×288, 176×144) 60Hz: 30fps(1920×1080, 1280×960, 1280×720, 704×480, 352×240, 176×120)
Image Compression	H.264/MJPEG/MPEG4, H.264 encoding with Baseline/Main/High profile
Audio Compression	G.711ulaw/G.711alaw/G.726/MP2L2/G.722/PCM
Protocols	IPv4/IPv6, HTTP, HTTPS, 802.1X, QoS, FTP, SMTP, UPnP, SNMP, DNS, DDNS, NTP, RTSP, RTP, TCP, UDP, IGMP, ICMP, DHCP, PPPoE
Simultaneous Live View	Up to 20 users
Mini SD Memory Card	Support up to 128GB Micro SD/SDHC/SDXC card, Support Edge recording
User/Host Level	Up to 32 users, 3 Levels: Administrator, Operator and User
Security Measures	User authentication (ID and PW); Host authentication (MAC address); IP address filtering
System Integration	
Application programming	Open-ended API, support ONVIF, PSIA, CGI and Genetec
Web Browser	IE 7+, Chrome 18+, Firefox 5.0+, Safari 5.02+, support multi-language
RS-485 Protocols	HIKVISION, Pelco-P, Pelco-D, self-adaptive
Power	Hi-PoE 824 VAC, Max.60W
Working Temperature	-40°C ~ 65°C [-40°F ~ 149°F]
Humidity	90% or less
Protection Level	IP66, IK10, TVS 4,000V lightning protection, surge protection and voltage transient protection
Certification	FCC, CE, UL, RoHS, IEC/EN 61000, IEC/EN 55022, IEC/EN 55024, IEC /EN60950-1
Dimensions	Ø178.3(mm)×331.0(mm) [Ø7.02"×13.03"]
Weight [approx.]	8kg [approx.]
Mount Option	Long-arm wall mount: DS-1602ZJ; Corner mount: DS-1602ZJ-corner; Pole Mount: DS-1602ZJ-pole; Power box mount: DS-1602ZJ-box; Swan-neck mount: DS-1619ZJ

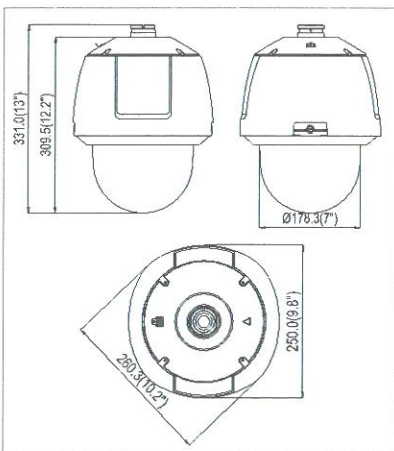
smart PTZ



Key Features

- 1/1.9" HD CMOS sensor
- 1920x1080 Full HD, 23X Optical Zoom
- Ultra-low illumination
- 120dB True WDR
- Smart Tracking
- Smart Detection
- EIS (Electronic Image Stabilization)
- Defog
- Hi-PoE / 24VAC power supply
- Vandal proof(IK10)

Dimension (unit: mm)



Accessories



Order Models

DS-2DF6223-AEL, outdoor

DS-2DF6223-AEL
2MP 23X Network PTZ Dome Camera

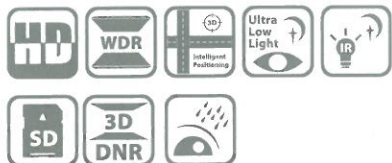


Camera	
Image sensor	1/1.9" Progressive Scan CMOS
Min. illumination	F1.5, 1/1 sec, 50 IRE, AGC On: Color: 0.002 lux, B/W: 0.0002 lux F1.5, 1/30 sec, 50 IRE, AGC On: Color: 0.02 lux, B/W: 0.002 lux
Max. Image Resolution	1920×1080
Focal Length	5.9-135.7mm, 23x
Digital Zoom	16X
Zoom Speed	Approx.4.4s(Optical Wide-Tele)
Angle of View	59.8-3.0 degree (Wide-Tele)
Min. Working Distance	10-1500mm(Wide-Tele)
Aperture Range	F1.5-F3.4
Focus Mode	Auto / Semiautomatic / Manual
WDR	120dB
S / N Ratio	≥ 55dB
Shutter Time	50Hz: 1-1/30,000s; 60Hz: 1-1/30,000s
AGC	Auto / Manual
White Balance	Auto / Manual /ATW/Indoor/Outdoor/Daylight lamp/Sodium lamp
Day & Night	IR Cut Filter
Privacy Mask	24 privacy masks programmable; optional multiple colors and mosaics
Enhancement	3D DNR, EIS, Defog, HLC/BLC, SVC
Pan and Tilt	
Range	Pan:360° endless; Tilt: -20°-90°(Auto Flip)
Speed	Pan Manual Speed: 0.1°-500°/s, Pan Preset Speed: 540°/s Tilt Manual Speed: 0.1°-240°/s, Tilt Preset Speed: 400°/s
Number of Preset	300
Patrol	8 patrols, up to 32 presets per patrol
Pattern	4 patterns, with the recording time not less than 10 minutes per pattern
Park Action	Preset / Patrol / Pattern / Auto scan / Tilt scan / Random scan / Frame scan / Panorama scan
Scheduled Task	Preset / Patrol / Pattern / Auto scan / Tilt scan / Random scan / Frame scan / Panorama scan/Dome reboot/Dome adjust/Aux output
Smart features	
Smart tracking	Manual/ Panorama/ Intrusion trigger/ Line crossing trigger/ Region entrance trigger/ Region exiting trigger
Smart detection	Face detection, intrusion detection, line crossing detection, audio exception detection, region entrance, region exiting
ROI encoding	Support 24 areas with adjustable levels
Input/ Output	
Monitor Output	1.0V(p-p) / 75Ω, NTSC (or PAL) composite, BNC
Audio Input	1 Mic in/Line in interface, line input; 2-2.4V(p-p); output impedance: 1kΩ, ±10%
Audio Output	1 Audio output interface, line level, impedance: 600Ω
Alarm	
Alarm I/O	7/2
Alarm Trigger	Face detection, Intrusion detection, Line crossing detection, Region entrance, Region exiting, Audio exception detection, Motion detection, Audio Exception Detection, Dynamic analysis, Tampering alarm, Network disconnect, IP address conflict, Storage exception
Alarm Action	Preset, Patrol, Pattern, Micro SD/SDHC card recording, Relay output, Notification on Client
Network	
Ethernet	10Base-T / 100Base-TX, RJ45 connector
Main Stream	50Hz: 25fps(1920×1080, 1280×960, 1280×720); 60Hz: 30fps(1920×1080, 1280×960, 1280×720)
Sub Stream	50Hz: 25fps(704×576, 352×288, 176×144); 60Hz: 30fps(704×480, 352×240, 176×120)
Third Stream	50Hz: 25fps(1920×1080, 1280×960, 1280×720, 704×576, 352×288, 176×144) 60Hz: 30fps(1920×1080, 1280×960, 1280×720, 704×480, 352×240, 176×120)
Image Compression	H.264/MJPEG/MPEG4, H.264 encoding with Baseline/Main/High profile
Audio Compression	G.711ulaw/G.711alaw/G.726/MP2L2/G.722/PCM
Protocols	IPv4/IPv6, HTTP, HTTPS, 802.1X, QoS, FTP, SMTP, UPnP, SNMP, DNS, DDNS, NTP, RTSP, RTP, TCP, UDP, ICMP, ICMP, DHCP, PPPoE
Simultaneous Live View	Up to 20 users
Mini SD Memory Card	Support up to 128GB Micro SD/SDHC/SDXC card. Support Edge recording
User/Host Level	Up to 32 users, 3 Levels: Administrator, Operator and User
Security Measures	User authentication (ID and PW); Host authentication (MAC address); IP address filtering
System Integration	
Application programming	Open-ended API, support ONVIF, PSIA and CGI, Genetec
Web Browser	IE 7+, Chrome 18+, Firefox 5.0+, Safari 5.02+, support multi-language
RS-485 Protocols	HIKVISION, Pelco-P, Pelco-D, self-adaptive
Power	Hi-PoE\$24 VAC, Max.60W
Working Temperature	-40°C - 65°C [-40°F - 149°F]
Humidity	90% or less
Protection Level	IP66, IK10, TVS 4,000V lightning protection, surge protection and voltage transient protection
Certification	FCC, CE, UL, RoHS, IEC/EN 61000, IEC/EN 55022, IEC/EN 55024, IEC/EN60950-1
Dimensions	Φ178.3(mm)×331.0(mm) [Φ7.02"×13.03"]
Weight (approx.)	8kg [approx.]
Mount Option	Long-arm wall mount: DS-1602ZJ; Corner mount: DS-1602ZJ-corner; Pole Mount: DS-1602ZJ-pole; Power box mount:DS-1602ZJ-box

DS-2DY5223IW-AE



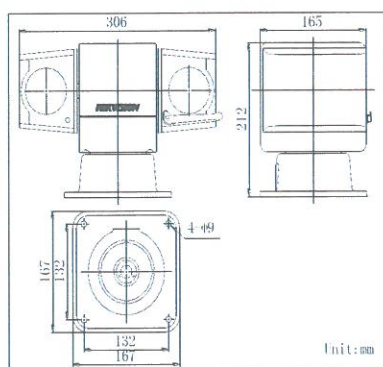
2MP 23X IR Positioning System



Key Features

- 2MP, 1920 x 1080
- 23X optical zoom, 16X digital zoom
- Ultra-low illumination (0.002Lux/F1.5(color), 0.0002Lux/F1.5(black), 0 Lux with IR)
- Low bit rate, true WDR, Defog, Smart IR
- 3D intelligent positioning
- Power-off memory, proportional zoom
- Analog/Network dual output
- Support Wiper
- Up to 150m IR distance
- Support Hi-PoE

Dimension (unit: mm)



Order Models

DS-2DY5223IW-AE

Camera	
Image Sensor	1/1.9" Progressive Scan CMOS
Max. Image Resolution	1920 X 1080
Min. Illumination	Color:0.002Lux @(F1.5, AGC ON) B/W:0.0002Lux @(F1.5, AGC ON)
Day & Night	ICR
Focus Mode	Auto / Semiautomatic / Manual
Shutter Time	1/1-1/10,000s
S / N Ratio	>52dB
Digital Zoom	16X
White Balance	Auto / Manual /ATW/Indoor/Outdoor/Daylight lamp/Sodium lamp
AGC	Auto / Manual
Lens	
Focal Length	5.9-135.7mm, 23X
Angle of View	59.8°-3.0°(Wide-Tele)
Min. Working Distance	10-1500mm(Wide-Tele)
Aperture Range	F1.5-F3.4
Image	
Main Stream	50Hz:25fps(1920×1080), 25fps(1280×720) 60Hz:30fps(1920×1080), 30fps(1280×720)
Sub Stream	50Hz:25fps(704×576), 25fps(352×288), 25fps(176×144) 60Hz:30fps(704×480), 30fps(352×240), 30fps(176×120)
Third Stream	Independent with Main Stream and Sub Stream, up to 50Hz: 25fps(1920 × 1080) ; 60Hz: 30fps (1920 × 1080)
Image Compression	H.265/H.264(Baseline, Main, High Profile)/MJPEG
Audio Compression	G.711ulaw/G.711alaw/G.726/MP2L2/G.722/PCM
SVC	Support
Protocols	IPv4/IPv6, HTTP, HTTPS, 802.1x, Qos, FTP, SMTp, UPnP, SHTTP, DNS, DDNS, NTP, RTSP, RTP, TCP, UDP, IGMP, ICMP, DHCP, PPPoE
Standard	ONVIF, PSIA, CGI, Genetec
Others	Defog, EIS, Privacy Mask, 3D DNR, BLC, true WDR
Smart Features	
Smart detection	Face detection, Intrusion detection, Line crossing detection, Audio exception detection, Region entrance detection, Region exiting detection
ROI encoding	Support 12 areas with adjustable levels
Infrared	
IR Distance	Up to 150m
IR Intensity	Automatically adjusted, depending on the zoom ratio
Pan and Tilt	
Movement Range	Pan: 360° endless, Tilt: +90°--90°
Movement Speed	Pan: 0.1°-200°/s, Tilt: 0.1°-50°/s
Number of Preset	300
Patrol	8 patrols, up to 32 presets per patrol
Pattern	4 patterns, with the recording time not less than 10 minutes per pattern
Park	Support
Proportional Zoom	Support
PTZ Position Display	On / Off
Simultaneous Live View	Up to 20 users
System Integration	
Menu	English
3D Positioning	Support
Preset Freezing	Support
Scheduled Task	Support
Alarm I/O	7 alarm inputs, 2 alarm outputs
Ethernet	1 RJ45 10M/100M Ethernet interface
CVBS Output	1.0V(p-p) / 75Ω, NTSC (or PAL) composite, BNC
RE485	Half duplex, HIKVISION, Pelco-P, Pelco-D, self-Adaptive
Onboard Storage	Built-in Micro SD/SDXC card slot, up to 128GB, manual/alarm recording, ANR
Number of Simultaneous Live View	Up to 20
User/Host Level	Up to 32 users, 3 Levels: Administrator, Operator and User
General	
Power	Hi-PoE 24 VAC, Max. 45W
Working Temperature/ Humidity	-40°C ~ 65°C, humidity 90% or less
Protection Level	IP66 standard, TVS 6,000V lightning protection, surge protection and voltage transient protection
Dimensions(mm)	306×167×212
Weight(approx.)	7.9kg



DS-2DY9185-A

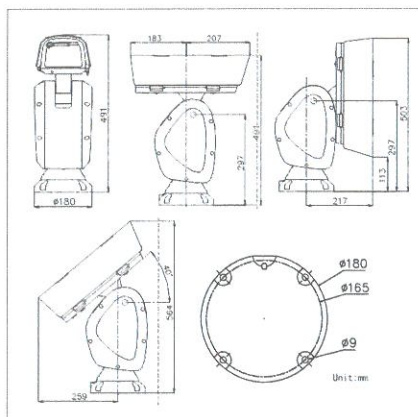
2MP 23X Positioning System



Key Features

- 1920×1080 Full HD output
- Ultra-low illumination
- Wide movement range
- 23X optical zoom, 16X digital zoom
- True Day/Night, true WDR, 3D DNR, Defog
- 3D intelligent positioning
- Triple stream
- Audio/Alarm I/O
- Wiper for self-cleaning

Dimension (unit: mm)



Order Models

DS-2DY9185-A

Camera	
Image Sensor	1/1.9" Progressive Scan CMOS
Max. Image Resolution	1920 X 1080
Min. Illumination	Color:0.002Lux @(F1.5, AGC ON) B/W:0.0002Lux @(F1.5, AGC ON) --
Day & Night	ICR
Focus Mode	Auto / Semiautomatic / Manual
Shutter Time	50Hz: 1/1-1/30,000s; 60Hz: 1/1-1/30,000s
S / N Ratio	>52dB
Digital Zoom	16X
White Balance	Auto / Manual / ATW/Indoor/Outdoor/Daylight lamp/Sodium lamp
AGC	Auto / Manual
Lens	
Focal Length	5.9-135.7mm, 23X
Angle of View	59.8°-3.0°(Wide-Tele)
Min. Working Distance	10-1500mm(Wide-Tele)
Aperture Range	F1.5-F3.4
Image	
Main Stream	50Hz:25fps(1920×1080), 25fps(1280×960), 25fps(1280×720) 60Hz:30fps(1920×1080), 30fps(1280×960), 30fps(1280×720)
Sub Stream	50Hz:25fps(704×576), 25fps(352×288), 25fps(176×144) 60Hz:30fps(704×480), 30fps(352×240), 30fps(176×120)
Third Stream	50Hz: 25fps(1920×1080), 25fps(1280×960), 25fps(1280×720), 25fps(704×576), 25fps(352×288), 25fps(176×144) 60Hz: 30fps(1920×1080), 30fps(1280×960), 30fps(1280×720), 30fps(704×480), 30fps(352×240), 30fps(176×120)
Image Compression	H.264(Baseline, Main, High Profile)/MJPEG/MPEG4
Audio Compression	G.722.1/G.711ulaw/G.711alaw/MP2L2/G.726/PCMA
SVC	Support
Protocols	IPv4/IPv6,HTTP,HTTPS,802.1x,Qos,FTP,SMTP,UPnP,SNMP,DNS,DDNS,NTP,RTSP,RTP,TCP,UDP,IGMP,ICMP,DHCP,PPPoE
Standard	ONVIF, P2IA, CGI, Genetec
Others	Defog, EIS, Privacy Mask, 3D DNR, BLC, true WDR
Smart Features	
Smart detection	Face detection, Intrusion detection, Line crossing detection, Audio exception detection, Region entrance detection, Region exiting detection
ROI encoding	Support 24 areas with adjustable levels
Pan and Tilt	
Movement Range	Pan: 360° endless; Tilt: +40°--90°
Movement Speed	Pan: 0.1°-100°/s; Tilt: 0.1°-40°/s
Number of Preset	300
Patrol	8 patrols, up to 32 presets per patrol
Pattern	4 patterns, with the recording time not less than 10 minutes per pattern
Power-off Memory	Support
Proportional Zoom	Support
PTZ Position Display	On / Off
Simultaneous Live View	Up to 20 users
System integration	
Menu	English
3D Positioning	Support
Preset Freezing	Support
Scheduled Task	Support
Alarm I/O	7 alarm inputs, 2 alarm outputs, alarm linkage
Alarm Action	Preset / Patrol / Pattern / SD card recording/ Aux output/ E-map on Client
Audio I/O	1/1
Ethernet	10Base-T / 100Base-TX, RJ45 connector
CVBS Output	1.0V(p-p) / 75Ω, NTSC (or PAL) composite, BNC
RE485	Half duplex, HIKVISION, Pelco-P, Pelco-D, self-adaptive
Onboard Storage	Built-in Micro SD/SDXC card slot, up to 128GB, edge recording
Number of Simultaneous Live View	Up to 20
User/Host Level	Up to 32 users,3 Levels: Administrator, Operator and User
General	
Power	AC24V, Max. 60W
Working Temperature/ Humidity	-40°C - 65°C, humidity 90% or less
Protection Level	IP66 standard, TVS 6,000V lightning protection, surge protection and voltage transient protection
Dimensions(mm)	180×491×390
Weight(approx.)	15kg(33.07lb)



DS-2DY9185-AI2

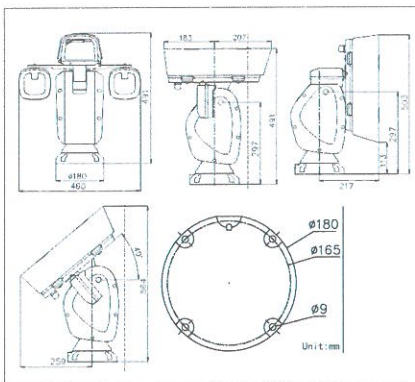
2MP 23X IR Positioning System



Key Features

- 1920×1080 Full HD output
- Ultra-low illumination
- Wide movement range
- 23X optical zoom, 16X digital zoom
- True Day/Night, true WDR, 3D DNR, Defog
- 3D intelligent positioning
- Triple stream
- Audio/Alarm I/O
- Wiper for self-cleaning
- Up to 200m IR distance

Dimension (unit: mm)



Order Models

DS-2DY9185-AI2

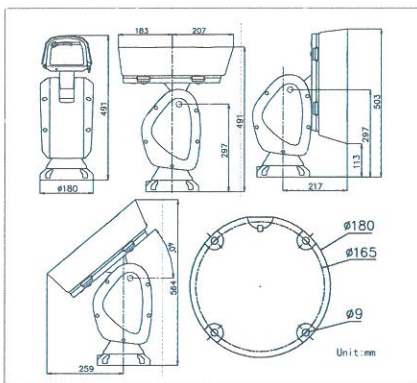
Camera	
Image Sensor	1/1.9" Progressive Scan CMOS
Max. Image Resolution	1920 X 1080
Min. Illumination	Color:0.002Lux @(F1.5, AGC ON) B/W:0.0002Lux @(F1.5, AGC ON)
Day & Night	ICR
Focus Mode	Auto / Semiautomatic / Manual
Shutter Time	50Hz: 1/1-1/30,000s; 60Hz: 1/1-1/30,000s
S / N Ratio	>52dB
Digital Zoom	16X
White Balance	Auto / Manual /ATW/Indoor/Outdoor/Daylight lamp/Sodium lamp
AGC	Auto / Manual
Lens	
Focal Length	5.9-135.7mm, 23X
Angle of View	59.8°-3.0°(Wide-Tele)
Min. Working Distance	10-1500mm(Wide-Tele)
Aperture Range	F1.5-F3.4
Image	
Main Stream	50Hz:25fps(1920×1080), 25fps(1280×960), 25fps(1280×720) 60Hz:30fps(1920×1080), 30fps(1280×960), 30fps(1280×720)
Sub Stream	50Hz:25fps(704×576), 25fps(352×288), 25fps(176×144) 60Hz:30fps(704×576), 30fps(352×240), 30fps(176×120)
Third Stream	50Hz: 25fps(1920×1080), 25fps(1280×960), 25fps(1280×720), 25fps(704×576), 25fps(352×288), 25fps(176×144) 60Hz: 30fps(1920×1080), 30fps(1280×960), 30fps(1280×720), 30fps(704×480), 30fps(352×240), 30fps(176×120)
Image Compression	H.264(Baseline, Main, High Profile)/MJPEG/MPEG4
Audio Compression	G722.1/G.711ulaw/G.711alaw/MP2L2/G.726/PCM
SVC	Support
Protocols	IPv4/IPv6,HTTP,HTTPS,802.1x,Qos,FTP,SMTP,UPnP,SNMP,DNS,DDNS,NTP,RTSP,RTP,TCP,UDP,IGMP,ICMP,DHCP,PPoE
Standard	ONVIF, PSIA, CGI, Genetec
Others	Defog, EIS, Privacy Mask, 3D DNR, BLC, true WDR
Smart Features	
Smart detection	Face detection, Intrusion detection, Line crossing detection, Audio exception detection, Region entrance detection, Region exiting detection
ROI encoding	Support 24 areas with adjustable levels
Infrared	
IR Distance	200m
IR Intensity	Automatically adjusted, depending on the zoom ratio
Smart IR	Support
Pan and Tilt	
Movement Range	Pan: 360° endless,Tilt: +40°-90°
Movement Speed	Pan: 0.1°-100°/s, Tilt: 0.1°-40°/s
Number of Preset	300
Patrol	8 patrols, up to 32 presets per patrol
Pattern	4 patterns, with the recording time not less than 10 minutes per pattern
Power-off Memory	Support
Park	Support
Proportional Zoom	On / Off
PTZ Position Display	Up to 20 users
System integration	
Menu	English
3D Positioning	Support
Preset Freezing	Support
Sched	Support
Alarm I/O	7 alarm inputs, 2 alarm outputs, alarm linkage
Alarm Action	Preset / Patrol / Pattern / SD card recording/ Aux output/ E-map on Client
Audio I/O	1/1
Ethernet	10Base-T / 100Base-TX, RJ45 connector
CVBS Output	1.0V(p-p) / 75Ω, NTSC (or PAL) composite, BNC
RE485	Half duplex, HIKVISION, Pelco-P, Pelco-D, self-adaptive
Onboard Storage	Built-in Micro SD/SDXC card slot, up to 128GB, edge recording
Number of Simultaneous Live View	Up to 20
User/Host Level	Up to 32 users,3 Levels: Administrator, Operator and User
General	
Power	AC24V, Max. 60W
Working Temperature/Humidity	-40°C - 65°C, humidity 90% or less
Protection Level	IP66 standard, TVS 6,000V lightning protection, surge protection and voltage transient protection
Dimensions(mm)	180×491×390
Weight(approx.)	15kg(33.07lb)



Key Features

- 1920×1080 Full HD output
- Ultra-low illumination
- Wide movement range
- 36X optical zoom, 16X digital zoom
- True Day/Night, true WDR, 3D DNR, Defog
- 3D intelligent positioning
- Triple stream
- Audio/Alarm I/O
- Wiper for self-cleaning

Dimension (unit: mm)



Order Models

DS-2DY9188-A

DS-2DY9188-A

2MP 23X Positioning System

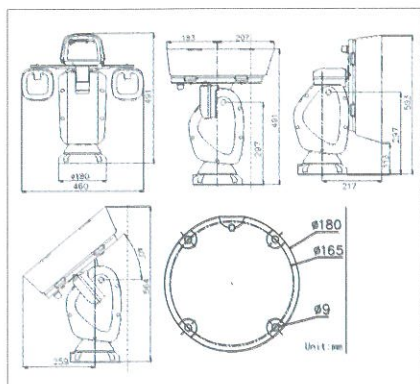
Camera	
Image Sensor	1/1.9" Progressive Scan CMOS
Max. Image Resolution	1920 X 1080
Min. Illumination	Color:0.002Lux @(F1.5, AGC ON) B/W:0.0002Lux @(F1.5, AGC ON) --
Day & Night	ICR
Focus Mode	Auto / Semiautomatic / Manual
Shutter Time	50Hz: 1/1-1/30,000s; 60Hz: 1/1-1/30,000s
S / N Ratio	>52dB
Digital Zoom	16X
White Balance	Auto / Manual /ATW/Indoor/Outdoor/Daylight lamp/Sodium lamp
AGC	Auto / Manual
Lens	
Focal Length	5.7-205.2, 36x
Angle of View	58.7-2.0 degree (Wide-Tele)
Min. Working Distance	10-1500mm(Wide-Tele)
Aperture Range	F1.5-F3.4
Image	
Main Stream	50Hz:25fps(1920×1080), 25fps(1280×960), 25fps(1280×720) 60Hz:30fps(1920×1080), 30fps(1280×960), 30fps(1280×720)
Sub Stream	50Hz:25fps(704×576), 25fps(352×288), 25fps(176×144) 60Hz:30fps(704×480), 30fps(352×240), 30fps(176×120)
Third Stream	50Hz: 25fps(1920×1080), 25fps(1280×960), 25fps (1280×720), 25fps(704×576), 25fps (352×288), 25fps (176×144) 60Hz: 30fps(1920×1080), 30fps(1280×960), 30fps (1280×720), 30fps(704×480), 30fps (352×240), 30fps (176×120)
Image Compression	H.264(Baseline, Main, High Profile)/H.265/MJPEG/MPEG4
Audio Compression	G.722.1/G.711ulaw/G.711alaw/MP2L2/G.726/PCM
SVC	Support
Protocols	IPv4/IPv6,HTTP,HTTPS,802.1x,Qos,FTP,SNMP,UPnP,SNMP,DNS,DDNS,NTP,RTSP,RTP,TCP,UDP,IGMP,ICMP,DHCP,PPPoE
Standard	ONVIF, PSIA, CGI, Genetec
Others	Defog, EIS, Privacy Mask, 3D DNR, BLC, true WDR
Smart Features	
Smart detection	Face detection, Intrusion detection, Line crossing detection, Audio exception detection, Region entrance detection, Region exiting detection
ROI encoding	Support 24 areas with adjustable levels
Pan and Tilt	
Movement Range	Pan: 360° endless, Tilt: +40°~-90°
Movement Speed	Pan: 0.1°-100°/s, Tilt: 0.1°-40°/s
Number of Preset	256
Patrol	8 patrols, up to 32 presets per patrol
Pattern	4 patterns, with the recording time not less than 10 minutes per pattern
Power-off Memory	Support
Park	Support
Proportional Zoom	Support
PTZ Position Display	On / Off
System Integration	
Menu	English
3D Positioning	Support
Preset Freezing	Support
Scheduled Task	Support
Alarm I/O	7 alarm inputs, 2 alarm outputs, alarm linkage
Alarm Action	Preset / Patrol / Pattern / SD card recording/ Aux output/ E-map on Client
Audio I/O	1/1
Ethernet	10Base-T / 100Base-TX, RJ45 connector
CVBS Output	1.0V(p-p) / 75Ω, NTSC (or PAL) composite, BNC
RE485	Half duplex, HIKVISION, Pelco-P, Pelco-D, self-adaptive
Onboard Storage	Built-in Micro SD/SDXC card slot, up to 128GB, edge recording
Number of Simultaneous Live View	Up to 20
User/Host Level	Up to 32 users,3 Levels: Administrator, Operator and User
General	
Power	AC24V, Max. 60W
Working Temperature/ Humidity	-40°C - 65°C, humidity 90% or less
Protection Level	IP66 standard, TVS 6,000V lightning protection, surge protection and voltage transient protection
Dimensions(mm)	180×491×390
Weight(approx.)	15kg(33.07lb)



Key Features

- 1920×1080 Full HD output
- Ultra-low illumination
- Wide movement range
- 36X optical zoom, 16X digital zoom
- Up to 200m IR distance
- True Day/Night, true WDR, 3D DNR, Defog
- 3D intelligent positioning
- Triple stream
- Audio/Alarm I/O
- Wiper for self-cleaning

Dimension (unit: mm)



Order Models

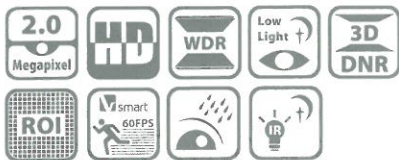
DS-2DY9188-A12

DS-2DY9188-A12

2MP 36X IR Positioning System



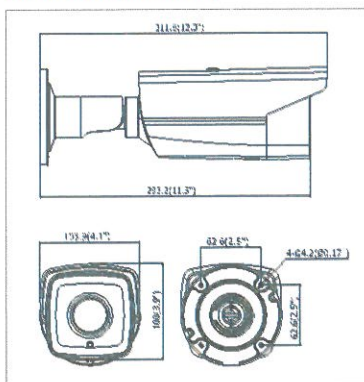
Camera	
Image Sensor	1/1.9" Progressive Scan CMOS
Max. Image Resolution	1920 X 1080
Min. Illumination	Color:0.002Lux @ (F1.5, AGC ON) B/W:0.0002Lux @(F1.5, AGC ON)
Day & Night	ICR
Focus Mode	Auto / Semiautomatic / Manual
Shutter Time	50Hz: 1/1-1/30,000s; 60Hz: 1/1-1/30,000s
S / N Ratio	>52dB
Digital Zoom	16X
White Balance	Auto / Manual / ATW/Indoor/Outdoor/Daylight lamp/Sodium lamp
AGC	Auto / Manual
Lens	
Focal Length	5.7-205.2, 36x
Angle of View	58.7-2.0 degree (Wide-Tele)
Min. Working Distance	10-1500mm(Wide-Tele)
Aperture Range	F1.5-F3.4
Image	
Main Stream	50Hz:25fps(1920×1080), 25fps(1280×960), 25fps(1280×720) 60Hz:30fps(1920×1080), 30fps(1280×960), 30fps(1280×720)
Sub Stream	50Hz:25fps(704×576), 25fps(352×288), 25fps(176×144) 60Hz:30fps(704×480), 30fps(352×240), 30fps(176×120)
Third Stream	50Hz: 25fps(1920×1080), 25fps(1280×960), 25fps(1280×720), 25fps(704×576), 25fps(352×288), 25fps(176×144) 60Hz: 30fps(1920×1080), 30fps(1280×960), 30fps(1280×720), 30fps(704×480), 30fps(352×240), 30fps(176×120)
Image Compression	H.264(Baseline, Main, High Profile)/MJPEG/MPEG4
Audio Compression	G722.1/G.711ulaw/G.711alaw/MP2L2/G.726/PCM
SVC	Support
Protocols	IPv4/IPv6,HTTP,HTTPS,802.1x,Qos,FTP,SMTP,UPnP,SNMP,DNS,DDNS,NTP,RTSP,RTP,TCP,UDP,IGMP,ICMP,DHCP,PPPoE
Standard	ONVIF, PSIA, CGI, Genetec
Others	Defog, EIS, Privacy Mask, 3D DNR, BLC, true WDR
Smart Features	
Smart detection	Face detection, Intrusion detection, Line crossing detection, Audio exception detection, Region entrance detection, Region exiting detection
ROI encoding	Support 24 areas with adjustable levels
Infrared	
IR Distance	200m
IR Intensity	Automatically adjusted, depending on the zoom ratio
Smart IR	Support
Pan and Tilt	
Movement Range	Pan: 360° endless, Tilt: +40°~-90°
Movement Speed	Pan: 0.1°-100°/s, Tilt: 0.1°-40°/s
Number of Preset	300
Patrol	8 patrols, up to 32 presets per patrol
Pattern	4 patterns, with the recording time not less than 10 minutes per pattern
Power-off Memory	Support
Park	Support
Proportional Zoom	Support
PTZ Position Display	On / Off
System Integration	
Menu	English
3D Positioning	Support
Preset Freezing	Support
Scheduled Task	Support
Alarm I/O	7 alarm inputs, 2 alarm outputs, alarm linkage
Alarm Action	Preset / Patrol / Pattern / SD card recording/ Aux output/ E-map on Client
Audio I/O	1/1
Ethernet	10Base-T / 100Base-TX, RJ45 connector
CVBS Output	1.0V(p-p) / 75Ω, NTSC for PAL) composite, BNC
RE485	Half duplex, HIKVISION, Pelco-P, Pelco-D, self-adaptive
Onboard Storage	Built-in Micro SD/SDXC card slot, up to 128GB, edge recording
Number of Simultaneous Live View	Up to 20
User/Host Level	Up to 32 users,3 Levels: Administrator, Operator and User
General	
Power	AC24V, Max. 60W
Working Temperature/ Humidity	-40°C - 65°C, humidity 90% or less
Protection Level	IP66 standard, TVS 6,000V lightning protection, surge protection and voltage transient protection
Dimensions(mm)	180×491×390
Weight(approx.)	15kg(33.07lb)

Key Features

- 1/1.8" Progressive Scan CMOS
- Full HD1080p video
- Up to 60fps frame rate
- Ultra-low light
- Slow shutter
- 120dB WDR
- 3D DNR
- Up to 50m IR range
- Motorized lens with Smart Focus
- -H: built-in heater
- -S: audio/alarm I/O
- Support 128G on-board storage
- DC12V/PoE
- IP67

Dimension (unit: mm)



Order Models

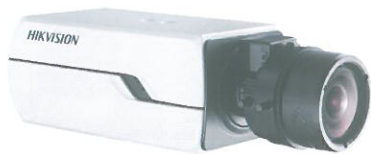
- DS-2CD4A26FWD-IZ
- DS-2CD4A26FWD-IZS
- DS-2CD4A26FWD-IZH
- DS-2CD4A26FWD-IZHS

DS-2CD4A26FWD-IZ(H)(S)

2MP Low Light Smart Bullet LPR Camera



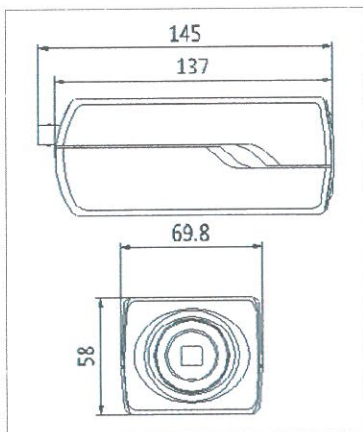
Camera	
Image sensor	1/1.8" Progressive Scan CMOS
Min. illumination	0.002 Lux @ (F1.2, AGC ON), 0.0027 Lux @ (F1.4, AGC ON), 0 Lux with IR
Shutter time	1/3s - 1/100,000s
Slow Shutter	Support
Lens	2.8-12mm @ F1.4, angle of view: 90.1°-31°
Lens Mount	AF automatic focusing and motorized zoom lens
Auto-iris	DC drive
Day & Night	IR Cut Filter
WDR	120dB
Compression standard	
Video Compression	H.264/MJPEG
H.264 Type	Baseline Profile / Main Profile
Video Bit Rate	32 Kbps - 8 Mbps
Audio Compression	G.711/G.722.1/G.726/MP2L2
Audio Bit Rate	84Kbps(G.711) / 16Kbps(G.722.1) / 16Kbps(G.726) / 32-128Kbps(MP2L2)
Image	
Max. Resolution	1920 × 1080
Frame Rate	50Hz: 25fps(1920 × 1080, 1280 × 960, 1280 × 720) 60Hz: 30fps(1920 × 1080, 1280 × 960, 1280 × 720)
Third Stream	Independent with Main Stream and Sub Stream, up to 50Hz: 25fps(1920 × 1080) ; 60Hz: 30fps(1920 × 1080)
Image Enhancement	BLC/3D DNR/ROI
Image Setting	Rotate Mode, Saturation, Brightness, Contrast, Sharpness adjustable by client software or web browser
Day/Night Switch	Auto/Schedule/Triggered by Alarm In
Picture Overlay	LOGO picture can be overlaid on video with 128x128 24bit bmp format
Network	
Network Storage	NAS (Support NFS/SMB/CIFS), ANR
Alarm Trigger	Motion detection, Tampering alarm, Network disconnect, IP address conflict, Storage exception
Protocols	TCP/IP, UDP, ICMP, HTTP, HTTPS, FTP, DHCP, DNS, DDNS, RTP, RTSP, RTCP, PPPoE, NTP, UPnP, SMTP, SNMP, IGMP, 802.1X, QoS, IPv6, Bonjour
Security	User Authentication, Watermark, IP address filtering, Anonymous access
Standard	ONVIF/PROFILE S, PROFILE G, PSIA, CGI, ISAPI
Interface	
Audio (-S)	1-ch 3.5 mm audio in (Mic in/Line in)/out interface
Communication Interface	1 RJ45 10M/100M Ethernet port
Alarm (-S)	1 input, 1 output (up to DC24V 1A or AC110V 500mA)
Video Output (-S)	1Vp-p composite output (75 Ω/BNC)
On-board storage	Built-in Micro SD/SDHC/SDXC slot, up to 128 GB
Reset Button	Yes
Smart Feature-set	
Behavior Analysis	Line crossing detection, Intrusion detection
Line Crossing Detection	Cross a pre-defined virtual line
Intrusion Detection	Enter and loiter in a pre-defined virtual region
Exception Detections	Scene change detection, Audio exception detection, Defocus detection
Recognition	Face detection recognition
General	
Protection Level	IP67
Operating Conditions	-30 °C - 60 °C (-22 °F - 140 °F), Humidity 95% or less (non-condensing)
Power Supply	12 V DC ± 10%, PoE (802.3at)
IR Distance	Up to 50m
Power Consumption	Max. 12W
Dimensions	100×103.9×311.8 mm (3.94" × 4.09" × 12.28")
Weight	2000 g (4.41 lbs)



Key Features

- 1/1.8" Progressive Scan CMOS
- Full HD1080p video
- Up to 60fps frame rate
- Ultra-low light
- Slow shutter
- 120dB WDR
- 3D DNR
- -A: Auto Back Focus
- -P: P-Iris
- Audio/Alarm IO
- Support 128G on-board storage
- DC12V/AC24V/PoE

Dimension (unit: mm)



Order Models

- DS-2CD4026FHW
- DS-2CD4026FHW-A
- DS-2CD4026FHW-AP

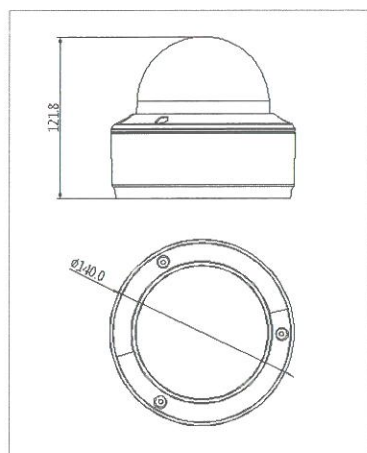
Camera	
Image Sensor	1/1.8" Progressive Scan CMOS
Min. Illumination	Color: 0.002 Lux @ (F1.2, AGC ON), B/W: 0.0002 Lux @ (F1.2, AGC ON)
Shutter Speed	1/3s - 1/100,000s
Slow Shutter	Support
Lens Mount	C/CS mount
Auto-iris	DC drive
Day & Night	IR Cut Filter
WDR	120dB
Compression standard	
Video Compression	H.264 / MJPEG
H.264 Type	Baseline Profile / Main Profile
Video Bit Rate	32 Kbps - 8 Mbps
Audio Compression	G.711/G.722.1/G.726/MPEG2
Audio Bit Rate	64Kbps(G.711) / 16Kbps(G.722.1) / 16Kbps(G.726) / 32-128Kbps(MPEG2)
Image	
Max. Resolution	1920 × 1080
Frame Rate	50Hz: 25fps(1920 × 1080, 1280 × 960, 1280 × 720) 60Hz: 30fps (1920 × 1080, 1280 × 960, 1280 × 720)
Third Stream	Independent with Main Stream and Sub Stream, up to 50Hz: 1fps(1920 × 1080); 60Hz: 1fps (1920 × 1080)
Image Enhancement	BLC/3D DNR/ROI/Defog
Image Setting	Rotate Mode, Saturation, Brightness, Contrast, Sharpness adjustable by client software or web browser
Day/Night Switch	Auto/Schedule/Triggered by Alarm In
Picture Overlay	LOGO picture can be overlaid on video with 128x128 24bit bmp format
Network	
Network Storage	NAS (Support NFS,SMB/CIFS), ANR
Alarm Trigger	Motion detection, Tampering alarm, Network disconnect, IP address conflict, Storage exception
Protocols	TCP/IP, UDP, ICMP, HTTP, HTTPS, FTP, DHCP, DNS, DDNS, RTP, RTSP, RTCP, PPPoE, NTP, UPnP, SMTP, SNMP, IGMP, 802.1X, QoS, IPv6, Bonjour
Security	User Authentication, Watermark, IP address filtering, Anonymous access
Standard	ONVIF(PROFILE S,PROFILE G),PSIA,C6I,ISAPI
Interface	
Audio	1-ch 3.5mm audio in(Mic in/Line in)/out interface, 1 build-in Microphone
Communication Interface	1 RJ45 10M/100M Ethernet port, 1 RS-485 interface and 1 RS-232 interface
Alarm	1 input, 1 output (up to DC24V 1A or AC110V 500mA)
Video Output	1Vp-p composite output (75 Ω/BNC)
On-board storage	Built-in Micro SD/SDHC/SDXC slot, up to 128 GB
Reset Button	Yes
Smart Feature-set	
Behavior Analysis	Line crossing detection, Intrusion detection
Line Crossing Detection	Cross a pre-defined virtual line
Intrusion Detection	Enter and loiter in a pre-defined virtual region
Exception Detections	Scene change detection, Audio exception detection, Defocus detection
Recognition	Face detection recognition
General	
Operating Conditions	-30 °C - 60 °C (-22 °F - 140 °F), Humidity 95% or less (non-condensing)
Power Supply	24 V AC ± 10%, 12 V DC ± 10%, PoE (802.3af)
Power Consumption	Max. 6 W (Max. 9W with IR cut filter on)
Dimensions	69.8×58×145 mm (2.75" × 2.28" × 5.71")
Weight	830 g (1.83 lbs)



Key Features

- 1/1.8" Progressive Scan CMOS
- Full HD1080p video
- Up to 30fps frame rate
- Ultra-low light
- Slow shutter
- 120dB WDR
- 3D DNR
- -I: Up to 30m IR range
- -Z: Motorized lens
- Audio/Alarm IO
- Support 128G on-board storage
- DC12V/PoE

Dimension (unit: mm)



Order Models

DS-2CD4126FWD-IZ

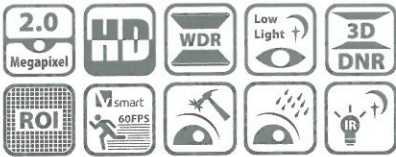
DS-2CD4126FWD-IZ

2MP Low Light Smart Camera



Camera	
Image Sensor	1/1.8" Progressive Scan CMOS
Min. illumination	0.002 Lux @ (F1.2, AGC ON), 0.0027 Lux @ (F1.4, AGC ON), 0 Lux with IR
Shutter Speed	1/3s - 1/100,000s
Slow Shutter	Support
Lens	2.8-12mm @ F1.4, angle of view: 90.1°-31°
Lens Mount	Ø14
Angle Adjustment	Pan: 0°-355°, tilt: 0°-75°, rotation: 0°-355°
Auto-iris	DC drive
Day & Night	Electronic (-I: IR Cut Filter)
WDR	120dB
Compression standard	
Video Compression	H.264/MJPEG
H.264 Type	Baseline Profile / Main Profile
Video Bit Rate	32 Kbps - 8 Mbps
Audio Compression	G.711/G.722.1/G.726/MP2L2
Audio Bit Rate	64Kbps(G.711) / 16Kbps(G.722.1) / 16Kbps(G.726) / 32-128Kbps(MP2L2)
Image	
Max. Resolution	1920 × 1080
Frame rate	50Hz: 50fps(1920 × 1080, 1280 × 960, 1280 × 720) 60Hz: 60fps(1920 × 1080, 1280 × 960, 1280 × 720)
Third Stream	Independent with Main Stream and Sub Stream, up to 50Hz: 25fps(1920 × 1080); 60Hz: 30fps(1920 × 1080)
Image Enhancement	BLC/3D DNR/ROI/Defog
Image Setting	Rotate Mode, Saturation, Brightness, Contrast, Sharpness adjustable by client software or web browser
Day/Night Switch	Auto/Schedule/Triggered by Alarm In
Picture Overlay	LOGO picture can be overlaid on video with 128x128 24bit bmp format
Network	
Network Storage	NAS (Support NFS/SMB/CIFS), ANR
Alarm Trigger	Motion detection, Tampering alarm, Network disconnect, IP address conflict, Storage exception
Protocols	TCP/IP, UDP, ICMP, HTTP, HTTPS, FTP, DHCP, DNS, DDNS, RTP, RTSP, RTCP, PPPoE, NTP, UPnP, SMTP, SNMP, IGMP, 802.1X, QoS, IPv6, Bonjour
Security	User Authentication, Watermark, IP address filtering, Anonymous access
Standard	ONVIF(PROFILE S,PROFILE G),PSIA,CGI,ISAPI
Interface	
Audio	1-ch 3.5 mm audio in(Mic in/Line in)/out interface
Communication Interface	1 RJ45 10M/100M Ethernet port, 1 RS-485 interface
Alarm	1 input, 1 output (up to DC24V 1A or AC110V 500mA)
Video Output	1Vp-p composite output (75 Ω/BNC)
On-board storage	Built-in Micro SD/SDHC/SDXC slot, up to 128 GB
Reset Button	Yes
Smart Feature-set	
Behavior Analysis	Line crossing detection, Intrusion detection
Line Crossing Detection	Cross a pre-defined virtual line
Intrusion Detection	Enter and loiter in a pre-defined virtual region
Exception Detections	Scene change detection, Audio exception detection, Defocus detection
Recognition	Face detection recognition
General	
Impact Protection	IK10
Operating Conditions	-30 °C - 60 °C (-22 °F - 140 °F), Humidity 95% or less (non-condensing)
Power Supply	12 V DC ± 10%, PoE (802.3af)
IR Distance (-I)	Up to 30m
Power Consumption	Max. 6 W (Max. 9W with IR cut filter on)
Dimensions	Ø140 × 121.8mm (Ø5.51" × 4.80")
Weight	1400 g (3.09 lbs)

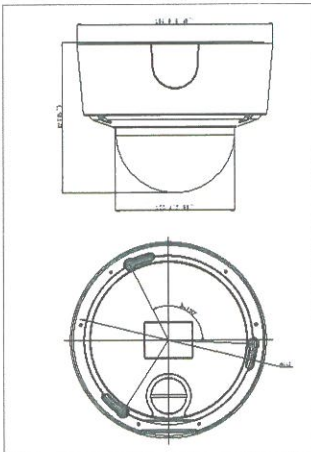
2MP Low Light Smart Camera



Key Features

- 1/1.8" Progressive Scan CMOS
- Full HD1080p video
- Up to 60fps frame rate
- Ultra-low light
- Slow shutter
- 120dB WDR
- 3D DNR
- Up to 40m IR range
- Motorized lens with Smart Focus
- -H: built-in heater
- Audio/Alarm ID
- Support 128G on-board storage
- AC24V/DC12V/PoE
- IP66

Dimension (unit: mm)



Order Models

DS-2CD4526FWD-IZ

DS-2CD4526FWD-IZH

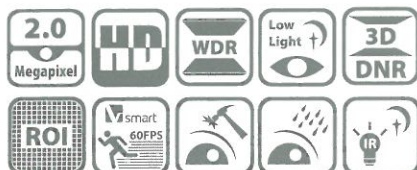
DARKFIGHTER

Camera	
Image Sensor	1/1.8" Progressive Scan CMOS
Min. Illumination	0.002 Lux @ (F1.2, AGC ON), 0.0027 Lux @ (F1.4, AGC ON), 0 Lux with IR
Shutter Speed	1s - 1/100,000s
Slow Shutter	Support
Lens	2.8-12mm @ F1.4, 92°-32°
Lens Mount	Ø14
Angle Adjustment	Pan: 0°-355°, tilt: 0°-75°, rotation: 0°-355°
Auto-iris	DC drive
Day & Night	IR Cut Filter
WDR	120dB
Compression standard	
Video compression	H.264+/H.264/MPEG4/MJPEG
H.264 Type	Baseline Profile / Main Profile / High Profile
Video Bit Rate	32 Kbps - 16 Mbps
Audio Compression	G.711/G.722.1/G.726/MP2L2
Audio Bit Rate	64Kbps(G.711) / 16Kbps(G.722.1) / 16Kbps(G.726) / 32-128Kbps(MP2L2)
Image	
Max. Resolution	1920 × 1080
Frame rate	50Hz: 50fps(1920 × 1080, 1280 × 960, 1280 × 720) 60Hz: 60fps (1920 × 1080, 1280 × 960, 1280 × 720)
Third Stream	Independent with Main Stream and Sub Stream, up to 50Hz: 25fps(1920 × 1080) ; 60Hz: 30fps (1920 × 1080)
Image Enhancement	BLC/3D DNR/ROI/Defog/EIS
Image Setting	Rotate Mode, Saturation, Brightness, Contrast, Sharpness adjustable by client software or web browser
Regional Cropping	Support
Distortion Correction	Support
Day/Night Switch	Auto/Schedule/Triggered by Alarm In
Picture Overlay	LOGO picture can be overlaid on video with 128x128 24bit bmp format
Network	
Network Storage	NAS (Support NFS,SMB/CIFS), ANR
Alarm Trigger	Motion detection, Tampering alarm, Network disconnect, IP address conflict, Storage exception
Protocols	TCP/IP, UDP, ICMP, HTTP, HTTPS, FTP, DHCP, DNS, DDNS, RTP, RTSP, RTCP, PPPoE, NTP, UPnP, SMTP, SNMP, IGMP, 802.1X, QoS, IPv6, Bonjour
Security	User Authentication, Watermark, IP address filtering, Anonymous access
Standard	ONVIF(PROFILE S,PROFILE G), PSIA, CGI, ISAPI
Communication Interface	1 RJ45 10M/100M Ethernet interface
Interface	
Audio	1-ch 3.5 mm audio in(Mic in/Line in)/out interface
Communication Interface	1 RJ45 10M/100M Ethernet port, 1 RS-485 interface
Alarm	1 input, 1 output (up to DC24V 1A or AC110V 500mA)
Video Output	1Vp-p composite output (75 Ω/BNC)
On-board storage	Built-in Micro SD/SDHC/SDXC slot, up to 128 GB
Reset Button	Yes
Audio	
Environment Noise Filtering	Support
Audio I/O	Support dual audio track, stereo
Audio Sampling Rate	16kHz / 32kHz / 44.1kHz / 48kHz
Interface	
Behavior Analysis	Line crossing detection, Intrusion detection, Region entrance, Region exiting, Unattended baggage, Object removal
Line Crossing Detection	Cross a pre-defined virtual line
Intrusion Detection	Enter and loiter in a pre-defined virtual region
Region Entrance	Enter a pre-defined virtual region from the outside place
Region Exiting	Exit from a pre-defined virtual region
Unattended Baggage	Objects left over in the pre-defined region such as the baggage, purse, dangerous materials
Object Removal	Objects removed from the pre-defined region, such as the exhibits on display.
Exception Detections	Scene change detection, Sudden audio increase/decrease detection, Audio loss detection, Defocus detection
Recognition	Face detection recognition
Statistics	Object Counting (Entrance and Exit object number is accounted and showed on screen in real time)
General	
Protection Level	IP66
Operating conditions	-30°C - 60 °C [-22 °F - 140 °F], Humidity 95% or less (non-condensing); -H: -40°C - 60 °C
Power supply	24V AC ± 10%, 12 V DC ± 10%, PoE (802.3af); -H: 24V AC ± 10%, 12 V DC ± 10%, PoE (802.3at);
IR Distance	Up to 40m
Power Consumption	Max. 12 W; -H: 17W
Dimensions	Ø164.9×127 mm (Ø6.49" × 5")
Weight	2100 g (4.63 lbs)

DS-2CD4626FWD-IZ(H)(S)



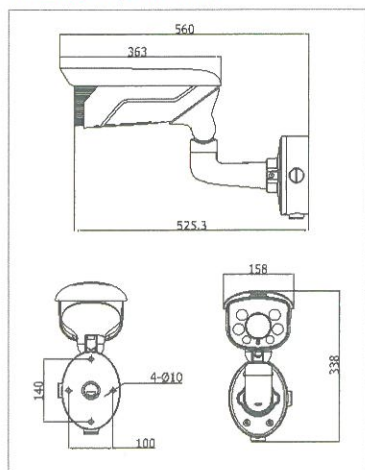
2MP Low Light Smart Camera



Key Features

- 1/1.8" Progressive Scan CMOS
- Full HD1080p video
- Up to 60fps frame rate
- Ultra-low light
- Slow shutter
- 120dB WDR
- 3D DNR
- up to 70m IR range
- Motorized lens with Smart Focus
- -H: built-in heater
- -S: audio/alarm IO
- Support 128G on-board storage
- AC24V/PoE

Dimension (unit: mm)



Order Models

- DS-2CD4626FWD-IZ
- DS-2CD4626FWD-IZS
- DS-2CD4626FWD-IZH
- DS-2CD4626FWD-IZHS

Camera	
Image Sensor	1/1.8" Progressive Scan CMOS
Min. Illumination	0.002 Lux @ (F1.2, AGC ON), 0.0027 Lux @ (F1.4, AGC ON), 0 Lux with IR
Shutter Speed	1s - 1/100,000s
Slow Shutter	Support
Lens	2.8-12mm @ F1.4, 92°-32°
Lens Mount	AF automatic focusing and motorized zoom lens
Auto-iris	DC drive
Day & Night	IR Cut Filter
WDR	120dB
Compression standard	
Video Compression	H.264/MPEG4/MJPEG
H.264 Type	Baseline Profile / Main Profile / High Profile
Video Bit Rate	32 Kbps - 16 Mbps
Audio Compression	G.711/G.722.1/G.726/MP2L2
Audio Bit Rate	64Kbps(G.711) / 16Kbps(G.722.1) / 16Kbps(G.726) / 32-128Kbps(MP2L2)
Image	
Max. Resolution	1920 × 1080
Frame rate	50Hz: 50fps(1920 × 1080) 50fps (1280 × 960), 50fps (1280 × 720) 60Hz: 60fps(1920 × 1080) 60fps (1280 × 960), 60fps (1280 × 720)
Third Stream	Independent with Main Stream and Sub Stream, up to 50Hz: 25fps(1920 × 1080); 60Hz: 30fps (1920 × 1080)
Image Enhancement	BLC/3D DNR/ROI/Defog/EIS
Image Setting	Rotate Mode, Saturation, Brightness, Contrast, Sharpness adjustable by client software or web browser
Regional Cropping	Support
Distortion Correction	Support
Day/Night Switch	Auto/Schedule/Triggered by Alarm In
Picture Overlay	LOGO picture can be overlaid on video with 128x128 24bit bmp format
Network	
Network Storage	NAS (Support NFS,SMB/CIFS), ANR
Alarm Trigger	Motion detection, Tampering alarm, Network disconnect, IP address conflict, Storage exception
Protocols	TCP/IP, UDP, ICMP, HTTP, HTTPS, FTP, DHCP, DNS, DDNS, RTP, RTSP, RTCP, PPPoE, NTP, UPnP, SMTP, SNMP, IGMP, 802.1X, QoS, IPv6, Bonjour
Security	User Authentication, Watermark, IP address filtering, Anonymous access
Interface	
Audio I-S	1-ch 3.5 mm audio in(Mic in/Line in)/out interface
Communication Interface	1 RJ45 10M/100M Ethernet port, 1 RS-485 interface
Alarm	1 input, 1 output (up to DC24V 1A or AC110V 500mA)
Video Output	1Vp-p composite output (75 Ω/BNC)
On-board storage	Built-in Micro SD/SDHC/SDXC slot, up to 128 GB
Reset Button	Yes
Audio I-S	
Environment Noise Filtering	Support
Audio I/O	Support dual audio track, stereo
Audio Sampling Rate	16kHz / 32kHz / 44.1kHz / 48kHz
Smart Feature-set	
Behavior Analysis	Line crossing detection, Intrusion detection, Region entrance, Region exiting, Unattended baggage, Object removal
Line Crossing Detection	Cross a pre-defined virtual line
Intrusion Detection	Enter and loiter in a pre-defined virtual region
Region Entrance	Enter a pre-defined virtual region from the outside place
Region Exiting	Exit from a pre-defined virtual region
Unattended Baggage	Objects left over in the pre-defined region such as the baggage, purse, dangerous materials
Object Removal	Objects removed from the pre-defined region, such as the exhibits on display.
Exception Detections	Scene change detection, Sudden audio increase/decrease detection, Audio loss detection, Defocus detection
Recognition	Face detection recognition
Statistics	Object Counting (Entrance and Exit object number is accounted and showed on screen in real time)
License Plate Recognition	
LPR Setting	Recognition area & Country configurable, recognition accuracy: 95% (Limit Speed:70km/h)
Info. Overlay	Camera No., camera info., capture time, plate info
Image Setting	Picture quality & size configurable
OSD Setting	Font & Background color configurable
	ONVIF: Capture time & License plate info. accessible
	GENETEC: Capture time & License plate info. accessible
	SDK & ISAPI: Capture time, License plate info., License plate & vehicle picture accessible
Integration	
General	
Protection Level	IP66
Impact Protection	IK10
Operating Conditions	-30 °C - 60 °C (-22 °F - 140 °F), Humidity 95% or less (non-condensing); -H: -40 °C - 60 °C
Power Supply	24 V AC ± 10%, PoE (802.3at)
IR Distance	Up to 70m
Power Consumption	Max. 24 W
Dimensions	158×338×560 mm (6.22" × 13.31" × 22.05")
Weight	6200 g (13.67lbs)

DS-2CD6026FHWD-(A)



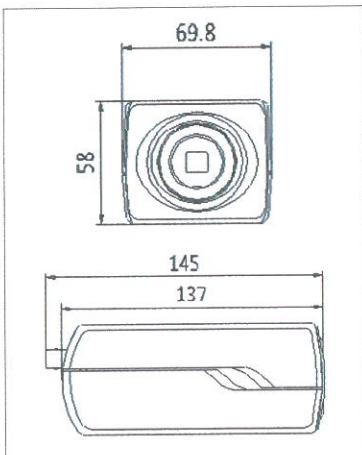
2MP Low Light Smart Camera



Key Features

- 1/1.8" Progressive Scan CMOS
- Full HD1080p video
- Up to 60fps frame rate
- Ultra-low light
- Slow shutter
- 120dB WDR
- 3D DNR
- -A: Auto Back Focus
- Audio/Alarm IO
- Support 128G on-board storage
- DC12V/AC24V/PoE

Dimension (unit: mm)



Order Models

- DS-2CD6026FHWD
- DS-2CD6026FHWD-A

Camera	
Image Sensor	1/1.8" Progressive Scan CMOS
Min. Illumination	Color: 0.001 Lux @ (F1.2, AGC ON), B/W: 0.0001 Lux @ (F1.2, AGC ON)
Shutter Speed	1s - 1/100,000s
Slow Shutter	Support
Lens Mount	C/CS mount
Auto-iris	DC drive
Day & Night	IR Cut Filter
WDR	120dB
Focus	-A: support ABF
Compression standard	
Video Compression	H.264/MPEG4/MJPEG
H.264 Type	Baseline Profile / Main Profile / High Profile
Video Bit Rate	32 Kbps - 16 Mbps
Audio Compression	G.711/G.722.1/G.726/MP2L2
Audio Bit Rate	64Kbps(G.711) / 16Kbps(G.722.1) / 16Kbps(G.726) / 32-128Kbps(MP2L2)
Image	
Max. Resolution	1920 × 1080
Frame Rate	50Hz: 50fps(1920 × 1080, 1280 × 960, 1280 × 720) 60Hz: 60fps (1920 × 1080, 1280 × 960, 1280 × 720)
Third Stream	Independent with Main Stream and Sub Stream, up to 50Hz: 25fps (1920 × 1080); 60Hz: 30fps (1920 × 1080)
Image Enhancement	BLC/3D DNR/ROI/Defog/EIS
Image Setting	Rotate Mode, Saturation, Brightness, Contrast, Sharpness adjustable by client software or web browser
Regional Cropping	Support
Day/Night Switch	Auto/Schedule/Triggered by Alarm In
Picture Overlay	LOGO picture can be overlaid on video with 128x128 24bit bmp format
ROI	Support
Picture Overlay	LOGO picture can be overlaid on video with 128x128 24bit bmp format
Network	
Network Storage	NAS (Support NFS,SMB/CIFS), ANR
Alarm Trigger	Motion detection, Tampering alarm, Network disconnect, IP address conflict, Storage exception
Protocols	TCP/IP, UDP, ICMP, HTTP, HTTPS, FTP, DHCP, DNS, DDNS, RTP, RTSP, RTCP, PPPoE, NTP, UPnP, SMTP, SNMP, IGMP, 802.1X, QoS, IPv6, Bonjour
Security Standard	User Authentication, Watermark, IP address filtering, Anonymous access ONVIF(PROFILE S,PROFILE G), PSIA,CGI,ISAPI
Interface	
Audio	1-ch 3.5 mm audio in(Mic in/Line in)/out interface, 1 build-in Microphone
Communication Interface	1 RJ45 10M/100M Ethernet port, 1 RS-485 interface and 1 RS-232 interface
Alarm	1 input, 1 output (up to DC24V 1A or AC110V 500mA)
Video Output	1Vp-p composite output (75 Ω/BNC)
On-board storage	Built-in Micro SD/SDHC/SDXC slot, up to 128 GB
Reset Button	Yes
Audio	
Environment Noise Filtering	Support
Audio I/O	Support dual audio track, stereo
Audio Sampling Rate	16kHz / 32kHz / 44.1kHz / 48kHz
Smart Feature-set	
Behavior Analysis	Line crossing detection, Intrusion detection, Region entrance, Region exiting, Unattended baggage, Object removal
Line Crossing Detection	Cross a pre-defined virtual line
Intrusion Detection	Enter and loiter in a pre-defined virtual region
Region Entrance	Enter a pre-defined virtual region from the outside place
Region Exiting	Exit from a pre-defined virtual region
Unattended Baggage	Objects left over in the pre-defined region such as the baggage, purse, dangerous materials
Object Removal	Objects removed from the pre-defined region, such as the exhibits on display.
Exception Detections	Scene change detection, Sudden audio increase/decrease detection, Audio loss detection, Defocus detection
Recognition	Face detection recognition
Statistics	Object Counting (Entrance and Exit object number is accounted and showed on screen in real time)
General	
Operating Conditions	-30 °C - 60 °C (-22 °F - 140 °F), Humidity 95% or less (non-condensing)
Power Supply	24 V AC ± 10%, 12 V DC ± 10%, PoE (802.3af)
Power Consumption	Max. 6 W (Max. 9W with IR cut filter on)
Dimensions	69.8×58×145 mm (2.75" × 2.28" × 5.71")
Weight	830 g (1.83 lbs)

BRACKETS, HOUSING

 Box Camera	 DS-1203ZJ Pendant Mount	 DS-1292ZJ Wall Mount	 DS-1269ZJ Pendant Mount	 DS-1275ZJ Vertical Pole Mount
	 DS-1293ZJ Wall Mount	 DS-1214ZJ Horizontal Pole Mount		
 Indoor Dome	 DS-1273ZJ-130 Wall Mount	 DS-1273ZJ-130B Wall Mount	 DS-1271ZJ-130 Pendant Mount	 DS-1227ZJ In-ceiling Mount
	 DS-1275ZJ Pole Mount	 DS-1276ZJ Corner Mount	 DS-1280ZJ-DM21 Junction Box	 DS-1281ZJ-DM23 Inclined Ceiling Mount
	 DS-1250ZJ Rain-Proof Cap	 DS-1253ZJ-L Weather Cap	 Smoked Lens Cover	
 Outdoor Dome	 DS-1280ZJ-DM26 Junction Box	 DS-1281ZJ-DM26 Inclined Ceiling Mount	 DS-1273ZJ-DM26 Wall Mount	 DS-1273ZJ-DM26-B Wall Mount with Junction Box
	 DS-1271ZJ-DM26 Pendant Mount			
 PTZ Camera	 DS-1602ZJ Wall Mount	 DS-1602ZJ-Conner Conner Mount	 DS-1602ZJ-Pole Pole Mount	 DS-1602ZJ-Box Box Mount
	 DS-1663ZJ Ceiling mount	 DS-1661ZJ Pendant mount	 DS-1662ZJ Pendant mount	 DS-1619ZJ Swan-neck Mount

LENS AND OTHERS

<p>HV0733D-6MP </p>  <ul style="list-style-type: none"> • Up to 6MP resolution • Focal length: 7-33mm • Aperture: F0.95-C • Format: 1/1.8" 	<p>HV3816D(P)-8MPIR</p>  <ul style="list-style-type: none"> • Focal range 3.8-16mm • Aperture F1.5-∞ • IR correction • Up to 8MP resolution • Format 9mm(1/1.8") • D: DC Iris / P: P-Iris 	<p>HV1140D(P)-8MPIR</p>  <ul style="list-style-type: none"> • Focal range 11-40mm • Aperture F1.5-C • IR correction • Up to 8MP resolution • Format 9mm(1/1.8") • D: DC Iris / P: P-Iris
 DS-1100KI Network Keyboard	 DS-1005KI USB Joy-stick	



Distributed by



HIKVISION

Headquarters

No.555 Qianmo Road, Binjiang District,
Hangzhou 310051, China
T +86-571-8807-5998
overseasbusiness@hikvision.com

Hikvision USA
T +1-909-895-0400
sales.usa@hikvision.com

Hikvision Italy
T +39-0438-6902
info.it@hikvision.com

Hikvision Singapore
T +65-6684-4718
sg@hikvision.com

Hikvision Europe
T +31-23-55-42-770
info.eu@hikvision.com

Hikvision France
T +33(0)1-85-330-444
info.fr@hikvision.com

Hikvision Oceania
T +61-2-8599-4233
salesau@hikvision.com

Hikvision Middle East
T +971-4-8616086
salesme@hikvision.com

Hikvision Spain
T +34-91-737-16-55
info.es@hikvision.com

Hikvision Canada
T +1-909-895-0400
sales.usa@hikvision.com

Hikvision Russia
T +7-495-669-67-99
saleru@hikvision.com

Hikvision Poland
T +48-22-460-01-50
poland@hikvision.com

Hikvision Korea
T +82-31-731-8841
sales.korea@hikvision.com

Hikvision India
T +91-22-28469900
sales@pramahikvision.com

Hikvision UK
T +44-1628-9021-4
support.uk@hikvision.com

Hikvision Hong Kong
T +852-2151-1761